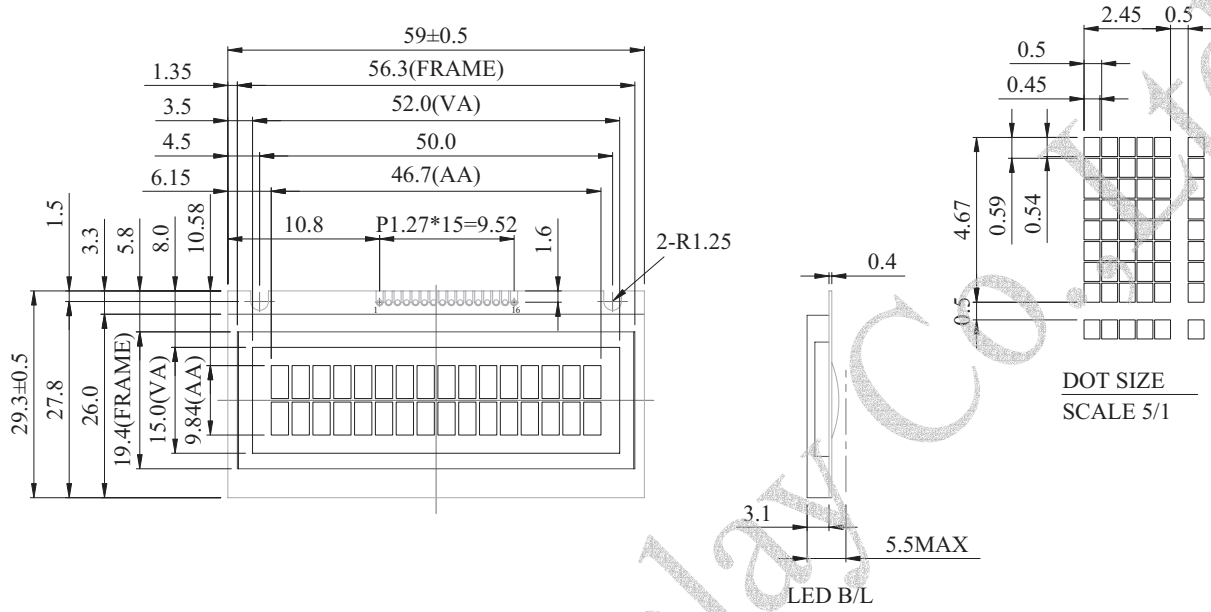


WH1602S Character 16x2

Dimension drawing



Character type

Feature

1. 5x8 dots includes cursor
2. Built-in controller (KS 0066 or Equivalent)
3. 1/16 duty cycle
4. +5V power supply

Mechanical Data

Item	Standard Value	Unit
Module Dimension	59.0x29.3	mm
Viewing Area	52.0x15.0	mm
Mounting hole	50.0	mm
Character Size	2.45x4.67	mm

Pin NO.	Symbol	Function
1	VLED-	Power supply for B/L(-)
2	Vss	Ground
3	Vdd	Supply voltage for logic
4	Vo	Operating voltage for LCD
5	RS	H: Data L: Instruction
6	R/W	H: read data L: write data
7	E	Chip enable signal
8	DB0	Data bit 0
9	DB1	Data bit 1
10	DB2	Data bit 2
11	DB3	Data bit 3
12	DB4	Data bit 4
13	DB5	Data bit 5
14	DB6	Data bit 6
15	DB7	Data bit 7
16	NC/A,VEE	NC/Power supply for B/L(+) /Negative Voltage output

Absolute Maximum Rating

Item	Symbol	Standard Value			Unit
		min.	typ.	max.	
Power Supply	VDD-VSS	-0.3	---	7.0	V
Input Voltage	VI	Vss	---	VDD	V

Note: VSS=0 Volt , VDD=5.0 Volt .

Electronical Characteristics

Item	Symbol	Condition	Standard Value			Unit
			min.	typ.	max.	
Input Voltage	VDD	VDD=+5V	4.5	5.0	5.5	V
Supply Current	IDD	VDD=5V	---	1.2	1.5	mA
Recommended LC Driving Voltage for Normal Temp. Version module	VDD-VO	-20°C	---	---	---	V
		0°C	---	---	---	
		25°C	---	3.8	---	
		50°C	---	---	---	
LED Forward Voltage	VF	25°C	---	4.2	---	V
LED Forward Current	IF	25°C Edge	---	40	---	mA
EL Power Supply Current	IEF	Vel=110VAC,400Hz	---	---	5.0	mA

Display Character Address Code :

Display position	1	2	3	4	5	6	7	8	9	10	11	12	13	14	15	16
DD RAM Address	00	01	02													0E 0F
DD RAM Address	40	41	42													4E 4F